

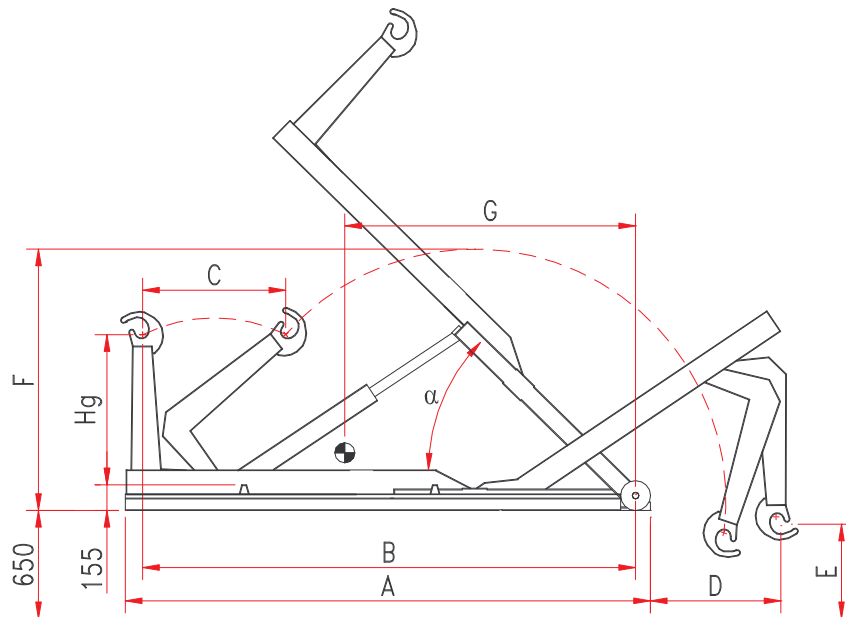


b.o.b. Sistemi Idraulici S.p.A.

italev

COMPANY
WITH QUALITY SYSTEM
CERTIFIED BY DNV
= ISO 9001/2000 =

HOOKLIFT « LIFT 3 »



Model	Hg	A	B	C	D	E	F	G	Weight	α	Container	min.	max.
LIFT 3 C	900/920	2.880	2.685	825	1.370	620	1.600	1.550	475 kg	51°		3.000	3.200
LIFT 3 N	900/920	3.180	2.985	975	1.220	620	1.600	1.715	490 kg	47°	3.300	3.500	

The technical details shown in this sheet are indicative and can be changed by the builder without prior notice.

B.O.B. Sistemi Idraulici S.p.A. – Regione Oltre Rea, 61 – 12060 Monchiero (CN) - Italia
P. I.V.A. 00496180043 - Tel.: +39 (0173) 780002/3 – Fax: +39 (0173) 780004
Internet: www.bobspa.com - e-mail: info@bobitalev.com