

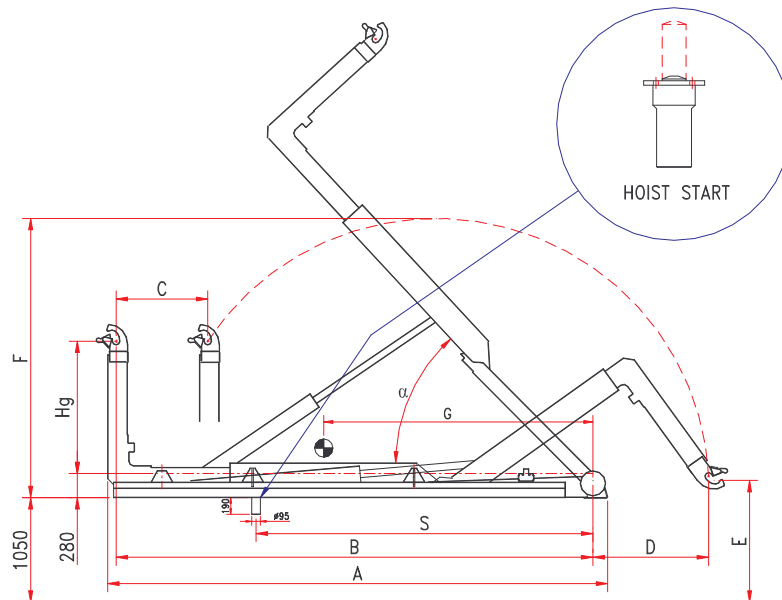


b.o.b. Sistemi Idraulici S.p.A.

italev

COMPANY
WITH QUALITY SYSTEM
CERTIFIED BY DNV
= ISO 9001/2000 =

HOOKLIFT « IT 35/6 »



Model	Hg	A	B	S	D	E	F	G	Weight	A	Container	min.	max.
IT 35/6 N	1.430/1.570	5.610	5.150	3.650	1.260	1.210	3.020	2.900	3.500 kg	54°		4.600	6.100
IT 35/6 NL	1.430/1.570	5.710	5.350	3.850	1.060	1.210	3.020	3.050	3.550 kg	51°		4.800	6.300
IT 35/6 L	1.430/1.570	5.910	5.550	4.050	860	1.210	3.020	3.200	3.600 kg	48°	5.000	6.500	

The technical details shown in this sheet are indicative and can be changed by the builder without prior notice.

B.O.B. Sistemi Idraulici S.p.A. – Regione Oltre Rea, 61 – 12060 Monchiero (CN) - Italia
 P. I.V.A. 00496180043 - Tel.: +39 (0173) 780002/3 – Fax: +39 (0173) 780004
 Internet: www.bobspa.com - e-mail: info@bobitalev.com