

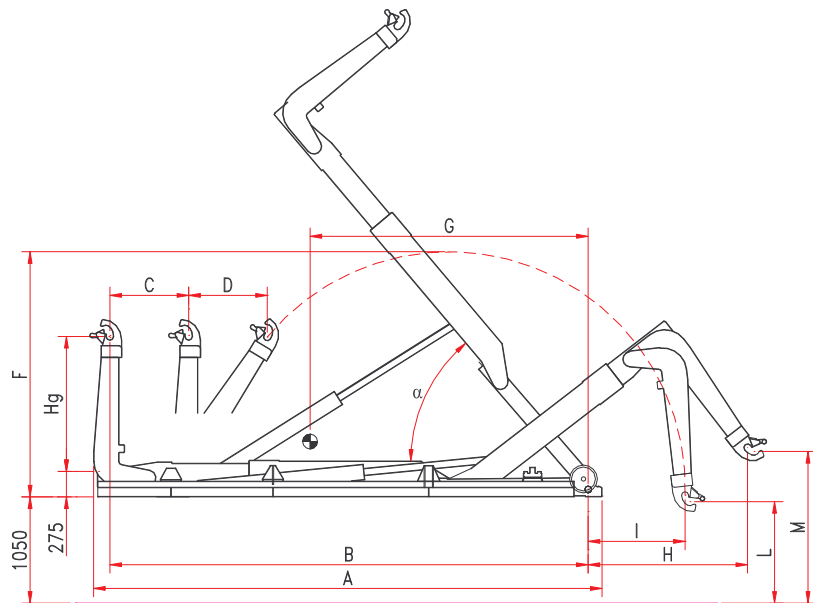


b.o.b. Sistemi Idraulici S.p.A.

italev

COMPANY
WITH QUALITY SYSTEM
CERTIFIED BY DNV
= ISO 9001/2000 =

HOOKLIFT « ITK 20/7 »



Model	Hg	A	B	C	D	F	G	Weight	α	Container	min.	max.
ITK 20/7 C	1.430/1.570	6.150	5.750	1.150	850	2.890	3.400	2.930 kg	57°		4.700	6.700
ITK 20/7 NC	1.430/1.570	6.350	5.950	1.150	850	2.890	3.500	2.960 kg	53°		4.900	6.900
ITK 20/7 N	1.430/1.570	6.550	6.150	1.150	850	2.890	3.600	2.990 kg	51°		5.100	7.100
ITK 20/7 NL	1.430/1.570	6.750	6.350	1.150	850	2.890	3.700	3.020 kg	48°		5.300	7.300
ITK 20/7 L	1.430/1.570	6.950	6.550	1.150	850	2.890	3.800	3.050 kg	45°	5.500	7.500	

The technical details shown in this sheet are indicative and can be changed by the builder without prior notice.

B.O.B. Sistemi Idraulici S.p.A. – Regione Oltre Rea, 61 – 12060 Monchiero (CN) - Italia
P. I.V.A. 00496180043 - Tel.: +39 (0173) 780002/3 – Fax: +39 (0173) 780004
Internet: www.bobspa.com - e-mail: info@bobitalev.com