

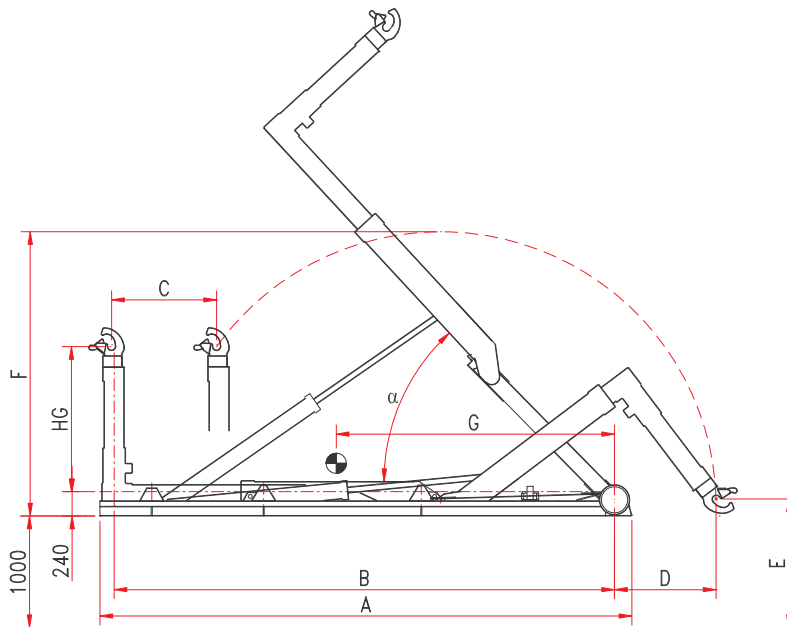


b.o.b. Sistemi Idraulici S.p.A.

italev

COMPANY
WITH QUALITY SYSTEM
CERTIFIED BY DNV
= ISO 9001/2000 =

HOOKLIFT « IT 18 »



| Model | HG | A | B | C | D | E | F | G | Weight | α | Container | min. | max. |
|----------|-------------|-------|-------|-------|-------|-------|-------|-------|----------|----------|-----------|-------|-------|
| IT 18 C | 1.430/1.570 | 4.820 | 4.520 | 1.032 | 1.400 | 1.150 | 2.800 | 2.200 | 2.050 kg | 55° | | 4.000 | 5.500 |
| IT 18 NC | 1.430/1.570 | 5.020 | 4.720 | 1.032 | 1.200 | 1.150 | 2.800 | 2.250 | 2.080 kg | 51° | | 4.200 | 5.700 |
| IT 18 N | 1.430/1.570 | 5.220 | 4.920 | 1.032 | 1.000 | 1.150 | 2.800 | 2.300 | 2.100 kg | 47° | | 4.400 | 5.900 |
| IT 18 NL | 1.430/1.570 | 5.420 | 5.120 | 1.032 | 800 | 1.150 | 2.800 | 2.350 | 2.120 kg | 45° | 4.600 | 6.100 | |

The technical details shown in this sheet are indicative and can be changed by the builder without prior notice.

B.O.B. Sistemi Idraulici S.p.A. – Regione Oltre Rea, 61 – 12060 Monchiero (CN) - Italia
P. I.V.A. 00496180043 - Tel.: +39 (0173) 780002/3 – Fax: +39 (0173) 780004
Internet: www.bobspa.com - e-mail: info@bobitalev.com