

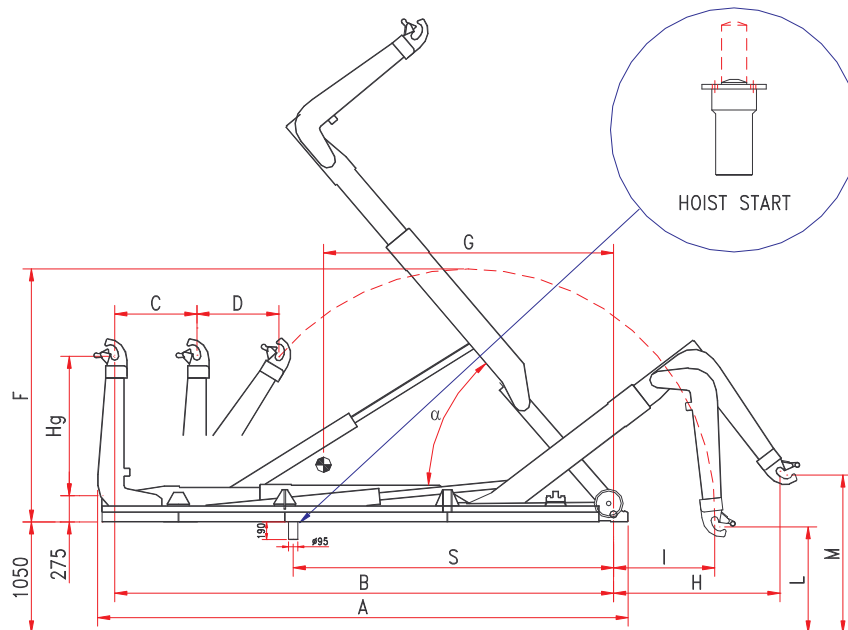


b.o.b. Sistemi Idraulici S.p.A.

italev

COMPANY  
WITH QUALITY SYSTEM  
CERTIFIED BY DNV  
= ISO 9001/2000 =

HOOKLIFT « ITK 30/6 »



Model	Hg	A	B	C	S	F	G	Weight	$\alpha$	Container	min.	max.
ITK 30/6 N	1.430/1.570	5.560	5.160	850	3.130	2.550	3.100	3.200 kg	51°		3.850	6.100
ITK 30/6 NL	1.430/1.570	5.760	5.360	850	3.330	2.550	3.250	3.250 kg	48°		4.050	6.300
ITK 30/6 L	1.430/1.570	5.960	5.560	850	3.530	2.550	3.400	3.300 kg	45°	4.250	6.500	

The technical details shown in this sheet are indicative and can be changed by the builder without prior notice.

**B.O.B. Sistemi Idraulici S.p.A.** – Regione Oltre Rea, 61 – 12060 Monchiero (CN) - Italia  
 P. I.V.A. 00496180043 - Tel.: +39 (0173) 780002/3 – Fax: +39 (0173) 780004  
 Internet: [www.bobspa.com](http://www.bobspa.com) - e-mail: [info@bobitalev.com](mailto:info@bobitalev.com)