

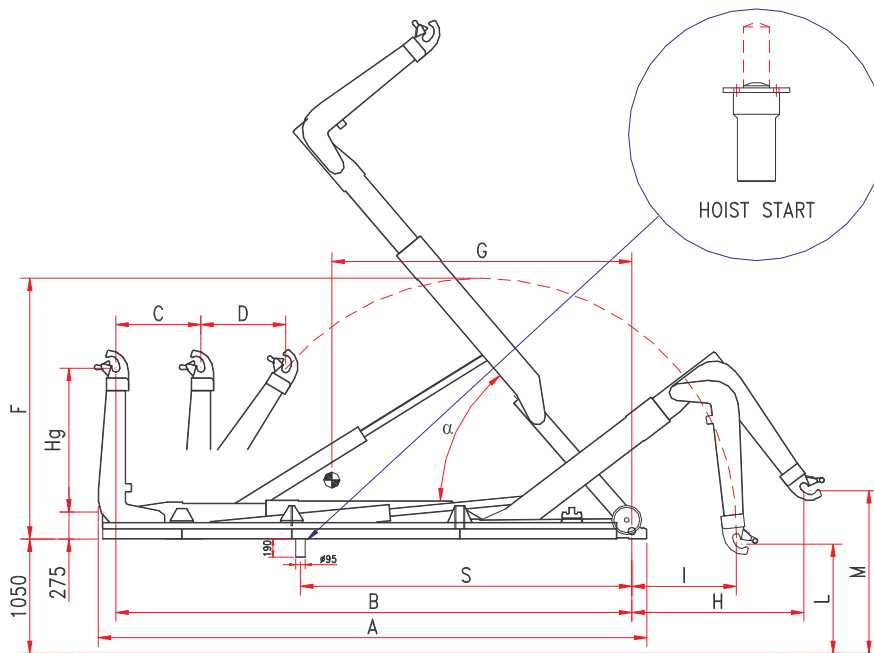


b.o.b. Sistemi Idraulici S.p.A.

italev

COMPANY  
WITH QUALITY SYSTEM  
CERTIFIED BY DNV  
= ISO 9001/2000 =

HOOKLIFT « ITK 30/7 »



Model	Hg	A	B	C	S	F	G	Weight	$\alpha$	Container	min.	max.
ITK 30/7 NC	1.430/1.570	6.370	5.960	1.150	3.900	2.785	3.600	3.300 kg	55°		4.400	6.900
ITK 30/7 N	1.430/1.570	6.570	6.160	1.150	4.100	2.785	3.600	3.350 kg	52°		4.600	7.100
ITK 30/7 NL	1.430/1.570	6.770	6.360	1.150	4.300	2.785	3.750	3.400 kg	49°		4.800	7.300
ITK 30/7 L	1.430/1.570	6.960	6.550	1.150	4.500	2.785	3.900	3.450 kg	46°	5.000	7.500	

The technical details shown in this sheet are indicative and can be changed by the builder without prior notice.

**B.O.B. Sistemi Idraulici S.p.A.** – Regione Oltre Rea, 61 – 12060 Monchiero (CN) - Italia  
P. I.V.A. 00496180043 - Tel.: +39 (0173) 780002/3 – Fax: +39 (0173) 780004  
Internet: [www.bobspa.com](http://www.bobspa.com) - e-mail: [info@bobitalev.com](mailto:info@bobitalev.com)