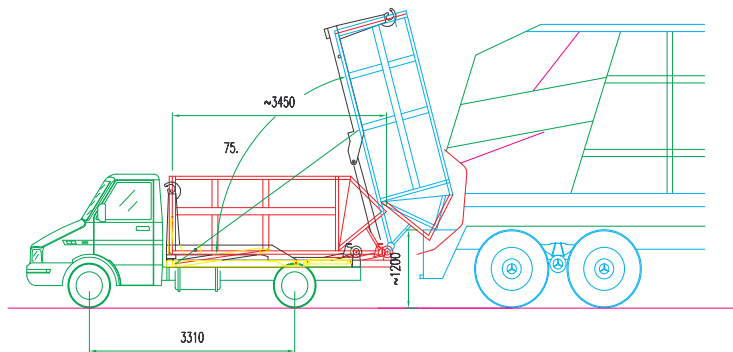
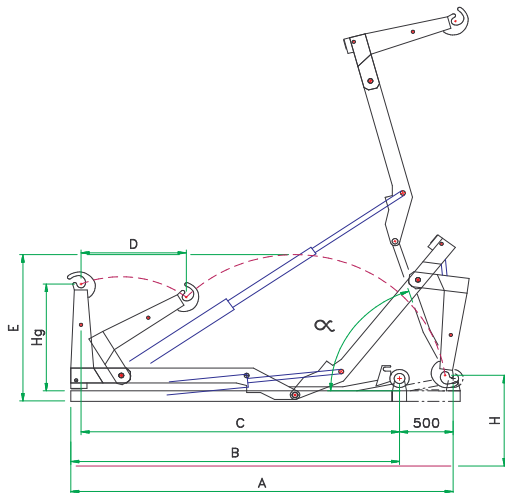




b.o.b. Sistemi Idraulici S.p.A.

COMPANY  
WITH QUALITY SYSTEM  
CERTIFIED BY DNV  
= ISO 9001/2000 =

## HOOKLIFT « SAT 3 »



TIPPING OPERATION INTO COMPACTOR WITH EXTENSION OF REAR MOBILE HEADSTOCK

Model	A	B	C	D	E	H	Hg	$\alpha$
SAT 3	3.560	3.060	2.965	960	1.450	900	900	75°

Lifting capacity ton 1,5

Tipping angle 75°

Rear extendable frame (patent B.O.B)

Oil tank with filter

Small vertical stabilizer

Kit box with electro hydraulic hand control board

CE Redaction with certification and operation manual and spare parts book

The technical details shown in this sheet are indicative and can be changed by the builder without prior notice.

**B.O.B. Sistemi Idraulici S.p.A.** – Regione Oltre Rea, 61 – 12060 Monchiero (CN) - Italia  
P. I.V.A. 00496180043 - Tel.: +39 (0173) 780002/3 – Fax: +39 (0173) 780004  
Internet: [www.bobspa.com](http://www.bobspa.com) - e-mail: [info@bobitalev.com](mailto:info@bobitalev.com)