

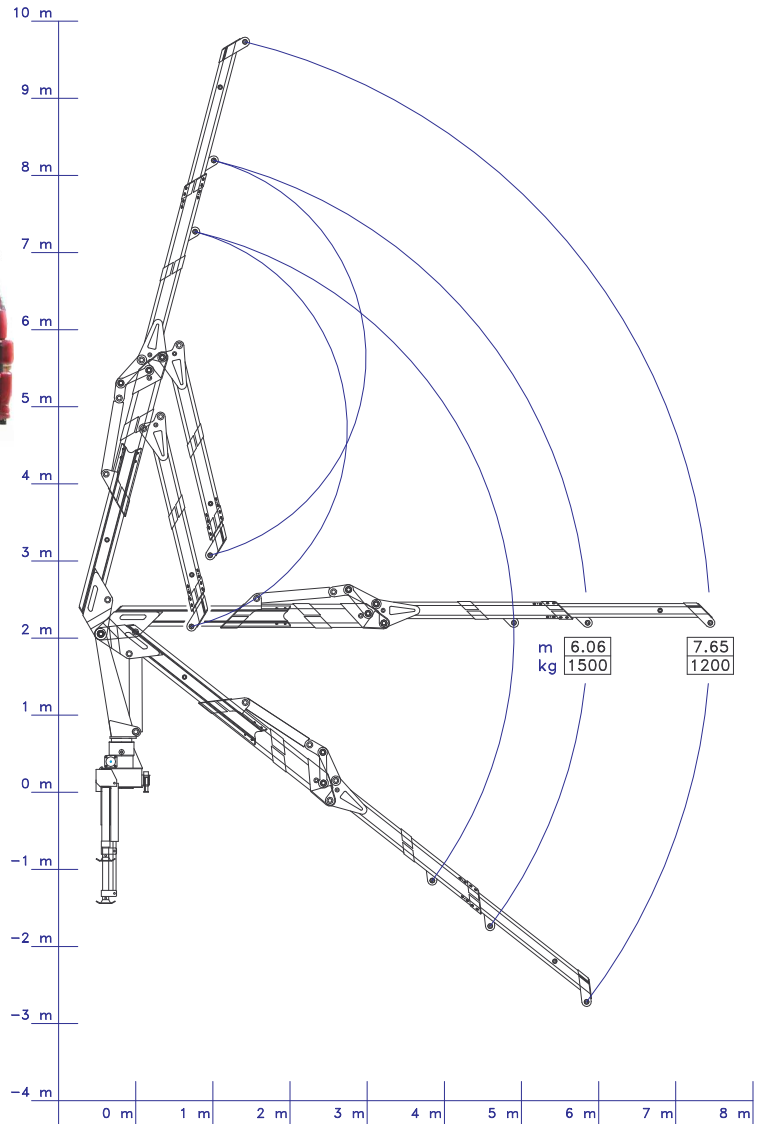


b.o.b. Sistemi Idraulici S.p.A.

italev

COMPANY
WITH QUALITY SYSTEM
CERTIFIED BY DNV
= ISO 9001/2000 =

CRANE « R 100 SEL »

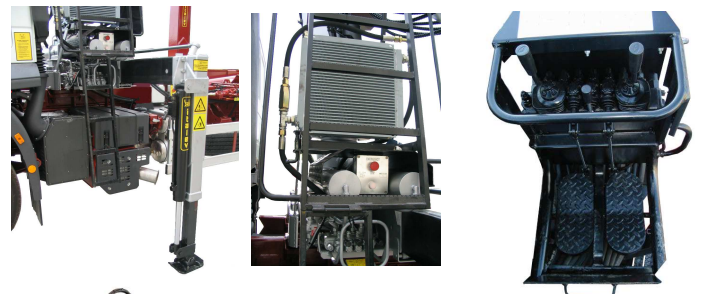


Standard

- Lifting moment = 10 t/m
- Hydraulic outreach = 7,65 m
- Jib with hydraulic extension
- Ground 3-element flow control
- Top seat controls with one additional function
- 360° single rack rotation
- Hydraulic stabilizers with manual extensions
- Access ladder
- Painting orange RAL 2002 (or other out of choice)
- Construction according to Machinery Directives 98/37/CE, 98/336/CE and DIN 15018
- Approx. weight = kg 2.400

Options:

- Second additional function for rotator
- Hydraulic stabilizers with hydraulic extensions
- Electro-hydraulic proportional DANFOSS-flow control with proportional radio control
- Seat control with cross levers and pedals
- Glass container handling device
- Oil cooling system
- Various lifting disposals for different kinds of use



The technical details shown in this sheet are indicative and can be changed by the builder without prior notice.

B.O.B. Sistemi Idraulici S.p.A. – Regione Oltre Rea, 61 – 12060 Monchiero (CN) - Italia
P. I.V.A. 00496180043 - Tel.: +39 (0173) 780002/3 – Fax: +39 (0173) 780004
Internet: www.bobspa.com - e-mail: info@bobitalev.com