

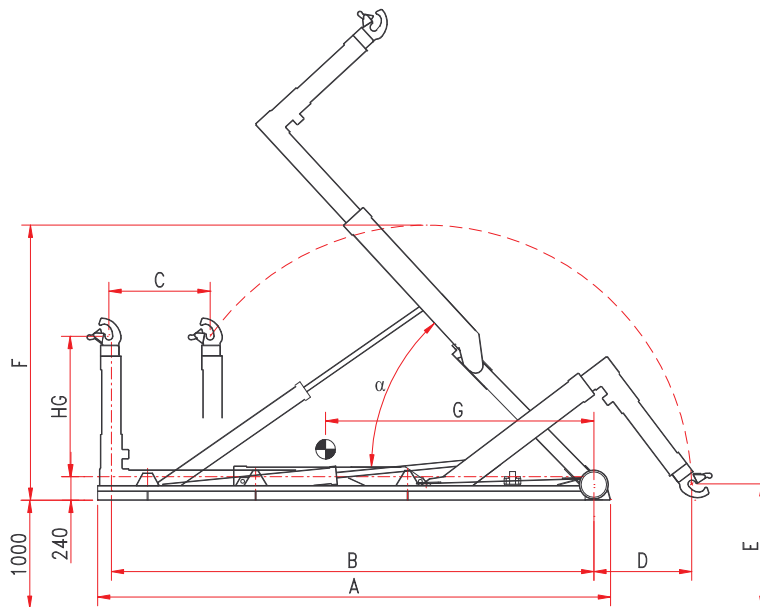


b.o.b. Sistemi Idraulici S.p.A.

italev

COMPANY  
WITH QUALITY SYSTEM  
CERTIFIED BY DNV  
= ISO 9001/2000 =

HOOKLIFT « IT 8 »



| Model   | HG          | A     | B     | C   | D     | E     | F     | G     | Weight   | $\alpha$ | Container | min.  | max.  |
|---------|-------------|-------|-------|-----|-------|-------|-------|-------|----------|----------|-----------|-------|-------|
| IT 8 C  | 1.430/1.570 | 4.135 | 3.850 | 800 | 1.400 | 1.145 | 2.600 | 2.200 | 1.580 kg | 58°      |           | 3.500 | 4.500 |
| IT 8 N  | 1.430/1.570 | 4.335 | 4.050 | 800 | 1.200 | 1.145 | 2.600 | 2.250 | 1.600 kg | 53°      |           | 3.800 | 4.800 |
| IT 8 NL | 1.430/1.570 | 4.535 | 4.250 | 800 | 1.000 | 1.145 | 2.600 | 2.300 | 1.630 kg | 49°      |           | 4.100 | 5.100 |
| IT 8 L  | 1.430/1.570 | 4.735 | 4.450 | 800 | 800   | 1.145 | 2.600 | 2.350 | 1.650 kg | 45°      | 4.400     | 5.400 |       |

The technical details shown in this sheet are indicative and can be changed by the builder without prior notice.

**B.O.B. Sistemi Idraulici S.p.A.** – Regione Oltre Rea, 61 – 12060 Monchiero (CN) - Italia  
P. I.V.A. 00496180043 - Tel.: +39 (0173) 780002/3 – Fax: +39 (0173) 780004  
Internet: [www.bobspa.com](http://www.bobspa.com) - e-mail: [info@bobitalev.com](mailto:info@bobitalev.com)