

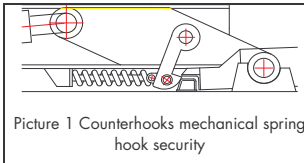
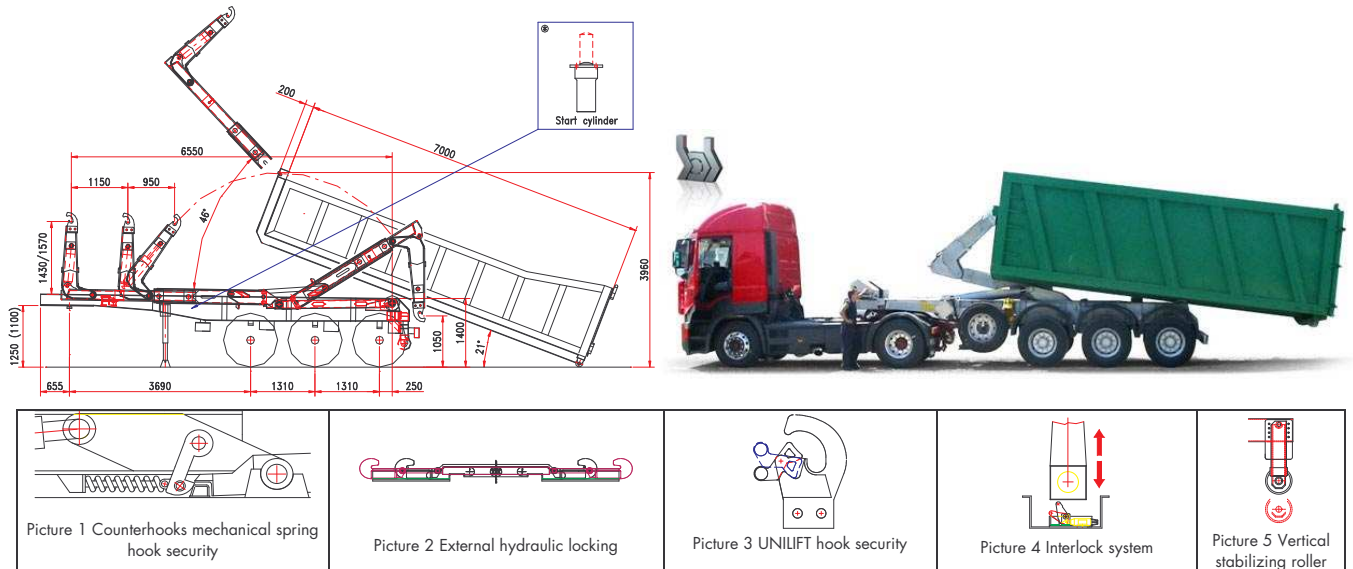


b.o.b. Sistemi Idraulici S.p.A.

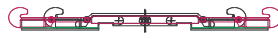
unilift[®]

COMPANY
WITH QUALITY SYSTEM
CERTIFIED BY DNV
= ISO 9001/2000 =

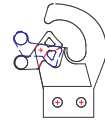
HOOKLIFT SEMI TRAILER « STK 30/7 »



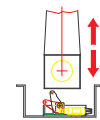
Picture 1 Counterhooks mechanical spring hook security



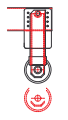
Picture 2 External hydraulic locking



Picture 3 UNILIFT hook security



Picture 4 Interlock system



Picture 5 Vertical stabilizing roller

- Construction in high tensile steel Weldox 700
- Telescopic and articulated arm
- Pneumatic hook security with hand board switch control
- Lifting capacity ton 30
- Suitable to handle containers m. 5.5 to m. 7.5
- Safety hydraulic system interlock
- Vertical stabilizer
- Regenerating oil system
- Container hydraulic locking
- Front trailer / tractor connections by multiple plug
- Rear fenders in steel
- Semi trailer frame Umberto Piacenza type S37R2F21
- Nr. 3 axles with pilot tyres type 385.65R22.5 nr. 6 + 1 spare tyre and wheel
- First axle lifting/steering
- Pneumatic suspensions with level regulation valve
- Braking system standard with ABS system
- King pin jost Ø 2"
- Landing gear jost two speed
- Painting on customer request
- CE Declaration

Optional:

- BPW axles
- Extra hydraulic section with hand board control
- Remote radio control
- Front hydraulic locking (ADR)

The technical details shown in this sheet are indicative and can be changed by the builder without prior notice.

B.O.B. Sistemi Idraulici S.p.A. – Regione Oltre Rea, 61 – 12060 Monchiero (CN) - Italia
P. I.V.A. 00496180043 - Tel.: +39 (0173) 780002/3 – Fax: +39 (0173) 780004
Internet: www.bobspa.com - e-mail: info@bobitalev.com