

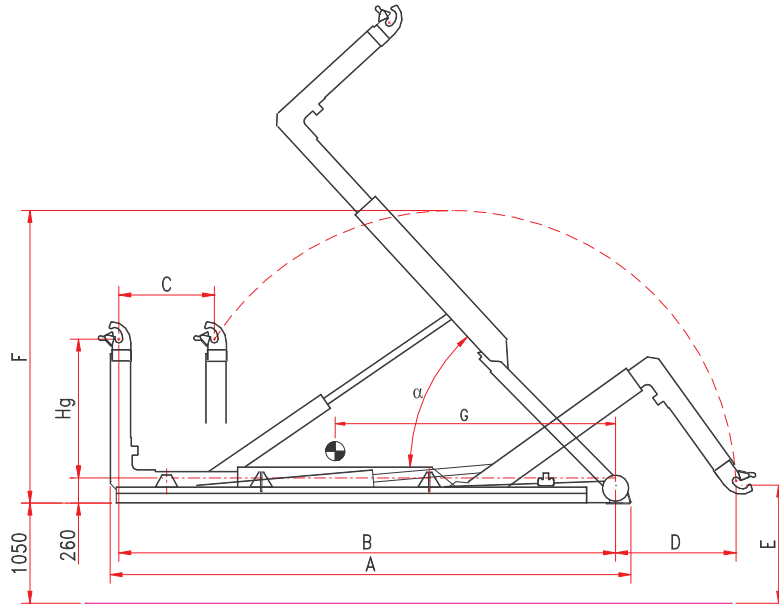


b.o.b. Sistemi Idraulici S.p.A.

italev

COMPANY  
WITH QUALITY SYSTEM  
CERTIFIED BY DNV  
= ISO 9001/2000 =

HOOKLIFT « IT 26/6 »



Model	HG	A	B	C	D	E	F	G	Weight	$\alpha$	Container	min.	max.
IT 26/6U XC	1.430/1.570	4.845	4.590	800	1.860	1.240	3.070	2.600	2.500 kg	55°		4.200	5.500
IT 26/6U C	1.430/1.570	5.045	4.790	1.000	1.660	1.240	3.070	2.600	2.550 kg	55°	4.200	5.700	
IT 26/6U NC	1.430/1.570	5.245	4.990	1.000	1.460	1.240	3.070	2.750	2.600 kg	51°	4.400	5.900	
IT 26/6U N	1.430/1.570	5.445	5.190	1.000	1.260	1.240	3.070	2.900	2.650 kg	48°	4.600	6.100	
IT 26/6U NL	1.430/1.570	5.645	5.390	1.000	1.060	1.240	3.070	3.050	2.700 kg	45°	4.800	6.300	
IT 26/6U L	1.430/1.570	5.845	5.590	1.000	860	1.240	3.070	3.200	2.750 kg	42°	5.000	6.500	

The technical details shown in this sheet are indicative and can be changed by the builder without prior notice.

**B.O.B. Sistemi Idraulici S.p.A.** – Regione Oltre Rea, 61 – 12060 Monchiero (CN) - Italia  
 P. I.V.A. 00496180043 - Tel.: +39 (0173) 780002/3 – Fax: +39 (0173) 780004  
 Internet: [www.bobspa.com](http://www.bobspa.com) - e-mail: [info@bobitalev.com](mailto:info@bobitalev.com)