

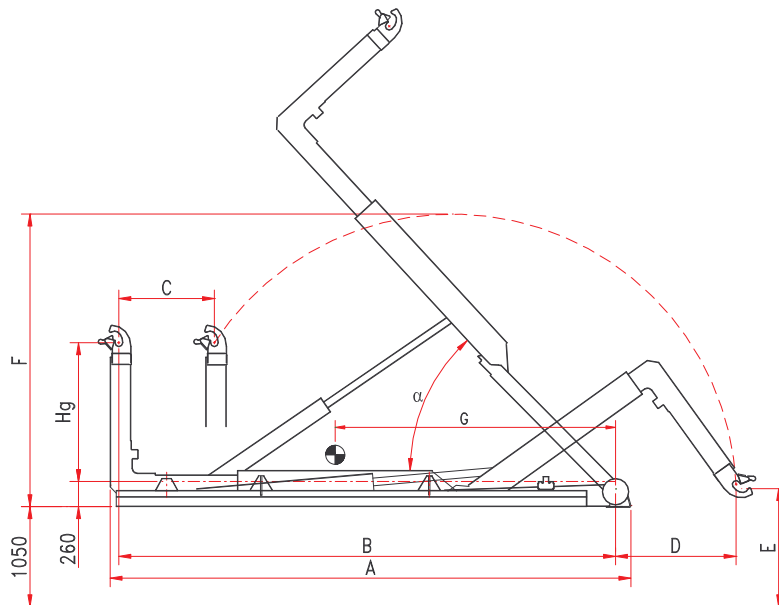


b.o.b. Sistemi Idraulici S.p.A.

italev

COMPANY
WITH QUALITY SYSTEM
CERTIFIED BY DNV
= ISO 9001/2000 =

HOOKLIFT « IT 30/6 »



Model	HG	A	B	C	D	E	F	G	Weight	α	Container	min.	max.
IT 30/6U C	1.430/1.570	5.045	4.790	1.000	1.660	1.240	3.070	2.700	2.800 kg	55°		4.200	5.700
IT 30/6U NC	1.430/1.570	5.245	4.990	1.000	1.460	1.240	3.070	2.850	2.850 kg	51°		4.400	5.900
IT 30/6U N	1.430/1.570	5.445	5.190	1.000	1.260	1.240	3.070	3.000	2.900 kg	48°		4.600	6.100
IT 30/6U NL	1.430/1.570	5.645	5.390	1.000	1.060	1.240	3.070	3.150	2.950 kg	45°		4.800	6.300
IT 30/6U L	1.430/1.570	5.845	5.590	1.000	860	1.240	3.070	3.300	3.000 kg	42°	5.000	6.500	

The technical details shown in this sheet are indicative and can be changed by the builder without prior notice.

B.O.B. Sistemi Idraulici S.p.A. – Regione Oltre Rea, 61 – 12060 Monchiero (CN) - Italia
 P. I.V.A. 00496180043 - Tel.: +39 (0173) 780002/3 – Fax: +39 (0173) 780004
 Internet: www.bobspa.com - e-mail: info@bobitalev.com