

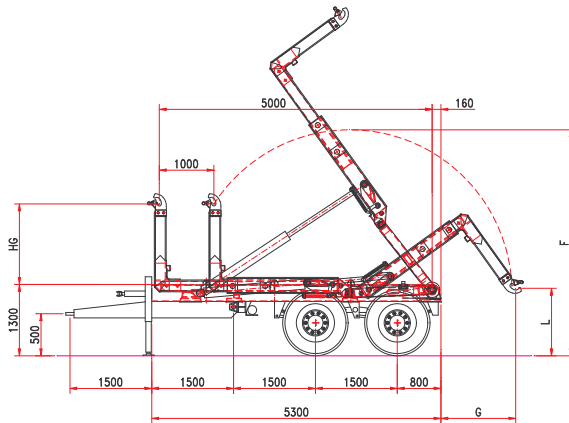


b.o.b. Sistemi Idraulici S.p.A.



COMPANY  
WITH QUALITY SYSTEM  
CERTIFIED BY DNV  
= ISO 9001/2000 =

## 2 AXLES HOOKLIFT TRAILER « R 20 ITL »



### **CHASSIS**

Frame section	300 x 100
Leafspring suspensions	Tandem 21 tons
Axles WHB	1.500 mm
Axles section	2x110
Axles	fixed+fixed
Brake drum	400 x 80
Braking system	hydraulic
Draw bar	silent blocks
Towing eye	fixed
Draw bar support foot	1 x hydraulic
Chassis loading level	1.300 mm

### **OLEODYNAMIC SYSTEM**

Tractor hydraulic	1 controls d/act
Piston pump	85 lt
RPM	1.000
Oil tank	120 l
Pump max. pressure	350 bar
Radio control	standard

### **TELESCOPIC ARM**

run	1.000
Hook level	1.430/1.460/1.570
Container external locking	hydraulic
Tipping angle	50°
Tipping capacity	20 ton
Lifting capacity	20 ton
(according to hook level)	

### **TRAILER WEIGHT AND DIMENSIONS**

Gross Trailer Weight (G.T.W.)	21 ton
Tare	6.000 kg
Container handling cap.	4.500/6.000 mm.
Max speed	40 km/h

### **OPTIONALS**

Articulated arm (+ telescopic standard)  
Axle WHB 1800 mm  
Steering Axle  
Steering axle BPW  
Axle hydraulic steering with draw bar equalizer  
Axle hydraulic steering BPW with draw bar equaliz.  
Hydraulic suspensions  
Hydraulic draw bar  
Pneumatic braking system  
Hydraulic-pneumatic braking system  
Modular pneum. braking system f. leaf springs susp.  
Modular pneum. braking system f. hydr. susp.  
Brakes 406 x 120  
BPW brakes 410 x 120  
Towing eye ball type diam. 80 mm Scharmueller  
Towing hook Rockinger with electric and ABS  
braking connections  
Container front hydraulic locking  
Additional hooklift flow control element  
Regenerating oil system (double speed)  
Automatic greasing system electropneumatic

The technical details shown in this sheet are indicative and can be changed by the builder without prior notice.

**B.O.B. Sistemi Idraulici S.p.A.** – Regione Oltre Rea, 61 – 12060 Monchiero (CN) - Italia  
P. I.V.A. 00496180043 - Tel.: +39 (0173) 780002/3 – Fax: +39 (0173) 780004  
Internet: [www.bobspa.com](http://www.bobspa.com) - e-mail: [info@bobitalev.com](mailto:info@bobitalev.com)